

# ACROSS

MOVE BETWEEN WORLDS



SUZUKI



## BETWEEN MAKING AN IMPRESSION AND FITTING RIGHT IN

Life today doesn't stay in one lane. It shifts from meetings to school runs, from coffee shops to conference calls, from airport lounges to weekend escapes. It's weekday responsibility and weekend freedom, often in the very same breath.

A sophisticated, intelligent SUV designed to adapt as your day unfolds, giving you seamless transitions and full freedom between every part of your world.

### EXTERIOR DESIGN ELEMENTS

- Bold, modern SUV styling
- Sculpted body lines
- Distinctive LED front and rear lighting
- Confident SUV stance with city-smart proportions

GRADE		GL	GLX
TRANSMISSION		5MT/6AT	6AT
<b>CHASSIS</b>			
Tyres and wheels	215/60 R17 + alloy wheels (Painted)	✦	-
	215/60 R17 + alloy wheels (Machined)	-	✦
Spare		✦	✦
<b>EXTERIOR</b>			
Panoramic Sunroof		-	✦
Front grille	Satin Chrome	✦	✦
Roof rails	Silver	✦	-
	Grey	-	✦
Outside door handles	Body coloured	✦	✦
Outside mirrors	Electric fold	✦	✦
Skid plate garnish	Front	✦	✦
	Rear	✦	✦
Tailgate opener	Handle-operated	✦	✦
Door beltline garnish	Material	✦	✦
Electromagnetic		✦	✦
Smart Powered Tailgate		✦	✦
<b>VISIBILITY</b>			
Headlamps	LED projector	✦	✦
Automatic lamps		✦	✦

✦ : Standard - : Not available

## ACROSS // INTERIOR



64-colour ambient lighting\*



Eight-way power driver seat\*



Generous luggage capacity



Ventilated front seats\*

\*Available on GLX

GRADE		GL	GLX
TRANSMISSION		5MT/6AT	6AT
<b>INTERIOR</b>			
Wireless Charger	Front	✦	✦
USB charger	Front type C+C	✦	✦
	Rear type C+C	✦	✦
12V accessory socket	Front and Luggage area	✦	✦
<b>STEERING &amp; INSTRUMENT PANEL</b>			
3-spoke steering wheel	Leather covered	-	✦
	Tilt-adjustable steering wheel	✦	✦
	Telescopic-adjustable steering wheel	✦	✦
	With audio controls	✦	✦
	With cruise control	✦	✦
	With hands-free phone control	✦	✦
	Paddle shift	✦ (AT)	✦ (AT)

✦ : Standard - : Not available

## BETWEEN “I’VE GOT THIS” AND “I CAN FINALLY BREATHE”

Close the door and the outside world softens. Inside, the Suzuki Across is quiet, spacious and perfectly designed for peace in the moments between.

Quality materials, clean lines and ambient lighting create an atmosphere that works as comfortably for a Teams call as it does for a Friday night drive.

### INTERIOR DESIGN ELEMENTS

- Spacious five-seat layout
- Premium finishes and soft-touch materials
- Clean, horizontal dashboard design
- Configurable ambient lighting

## ACROSS // TECHNOLOGY

GRADE		GL	GLX
TRANSMISSION		5MT/6AT	6AT
<b>DRIVING AMENITIES</b>			
Electric windows	Driver side (up/down auto)	⚡	⚡
Central door locking		⚡	⚡
Keyless push start system		⚡	⚡
Keyless entry system		⚡	⚡
Air conditioner	Automatic	⚡	⚡
Heater		⚡	⚡
Rear A/C Ventilation		⚡	⚡
Pollen filter	PM2.5 filter type	⚡	⚡
Audio	Sharkfin Antenna (mounted at rear of roof)	⚡	⚡
	Speaker x 4	⚡	⚡
	Centre speaker	-	⚡
	Tweeter x 2	⚡	⚡
	Subwoofer	-	⚡
	Infinity sound system	-	⚡
	10.1 inch Display Audio + Rearview camera	⚡	-
	10.1 inch Display Audio + surround view camera	-	⚡

## BETWEEN STAYING CONNECTED AND SWITCHING OFF

Playlist on. GPS set. Phone connected. All at the touch of a button. Suzuki Across places intelligent technology exactly where you need it.

### TECHNOLOGY USPS

- 10.25-inch Digital Information Display
- 10.1-inch Display Audio system
- Apple CarPlay® & Android Auto™
- Rearview camera
- Surround view camera\*
- Infinity premium sound system\*

\*Available on GLX



10.1-inch Display Audio system



10.25-inch Digital Information Display

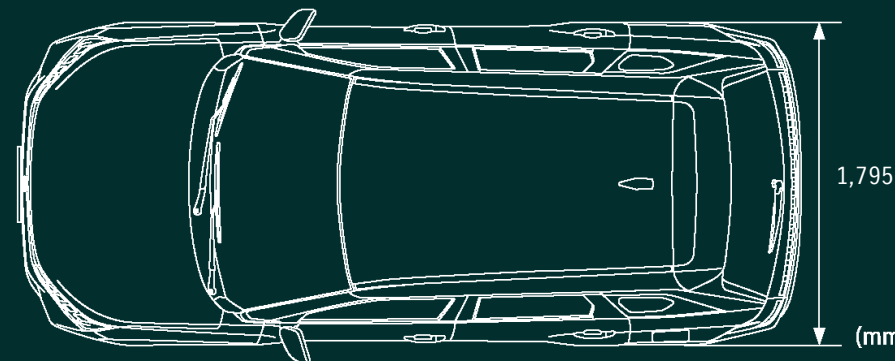
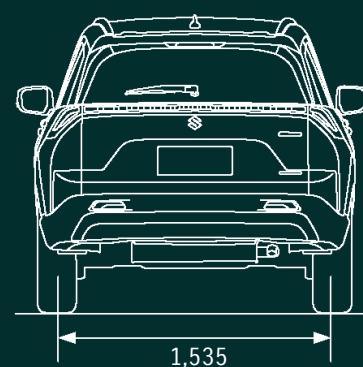
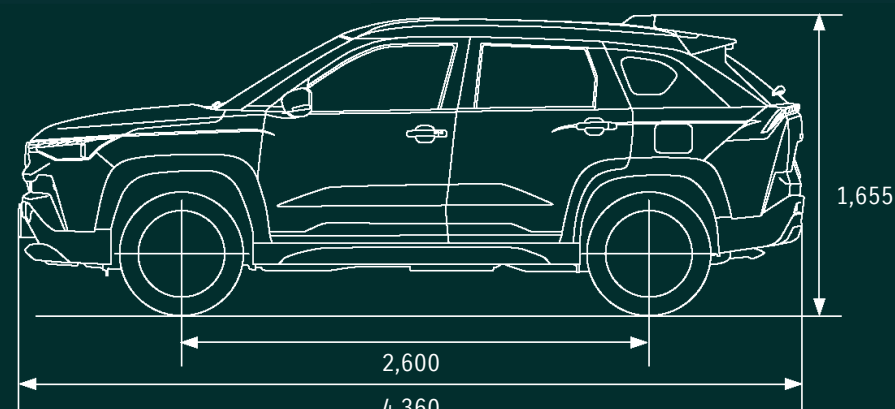
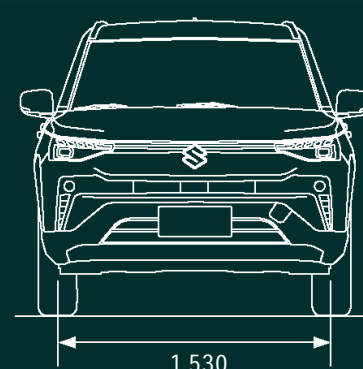
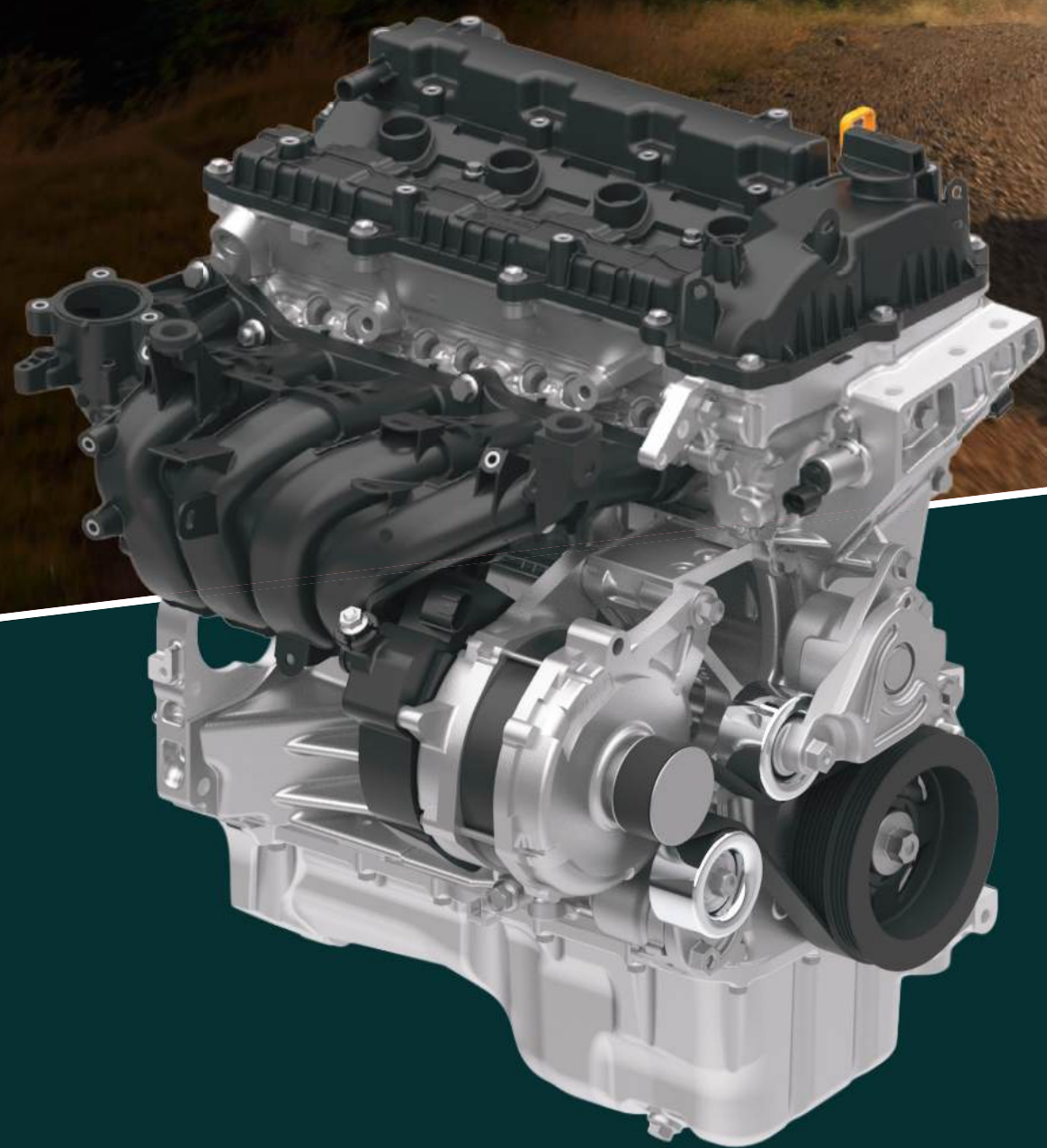


Rearview camera / Surround view camera\*



Infinity premium sound system\*

ACROSS // PERFORMANCE



## BETWEEN CITY TRAFFIC AND THE OPEN ROAD

Smooth in traffic. Confident beyond the city limits. The Suzuki Across delivers solid, stable handling and responsive acceleration, wherever the day takes you.

Its Smart Hybrid Vehicle by Suzuki (SHVS) seamlessly enhances efficiency, improving performance without changing how you drive.

### PERFORMANCE USPS

- SHVS mild hybrid technology
- Smooth acceleration
- Composed, stable handling
- Efficient everyday performance

DIMENSIONS		GL/GLX	
<b>MAJOR SPECIFICATIONS</b>			
Number of doors		5-door	
Engine		Petrol	
		1,5ℓ	
Drive system		2WD	
<b>CAPACITIES</b>			
Seating capacity		persons	5
Fuel tank capacity		ℓ	45
<b>ENGINE</b>			
Maximum output	kW/rpm	76/6000	
Maximum torque	N-m/rpm	137/4400	
<b>WEIGHTS</b>			
Type		2WD	
		5MT	6AT
Kerb weight (min./with full option)	kg	1,175-1,220	1,200-1,250
Gross vehicle weight	kg	1,635-1,680	1,660-1,710

ACROSS // SAFETY



Parking sensors



ABS with EBD



Front, side and curtain airbags



LED Daytime Running Lights



Hill Hold Control

## BETWEEN BEING IN CONTROL AND FEELING TAKEN CARE OF

There's reassurance in knowing your vehicle is watching out for you. The Suzuki Across is equipped with advanced safety systems which work as you drive, helping you to stay aware, supported and protected.

### GLX ADVANCED SAFETY

- DSBS II (Dual Sensor Brake Support II)
- AEB (Autonomous Emergency Brake)
- LDW (Lane departure warning)
- LKA (Lane keep assist)
- High beam assist
- RCTA (Rear crossing traffic alert)
- Weaving alert
- BSM (Blind spot monitor)
- LDP (Lane departure prevention)
- ACC (Adaptive cruise control)

### GRADE

### TRANSMISSION

GL GLX

5MT/6AT 6AT

### DRIVING SAFETY, SECURITY, AND ENVIRONMENTAL COMPATIBILITY

Electric parking brake (EPB)	Only available on Auto	⚡ (AT)	⚡ (AT)
SRS front dual airbags	Passenger side	⚡	⚡
SRS side airbags	Rear	⚡	⚡
SRS curtain airbags		⚡	⚡
Seatbelts	Front: 3-point ELR seatbelts with pretensioner and force limiter	⚡	⚡
	Rear: 3-point ELR seatbelts x3	⚡	⚡
ABS with EBD function		⚡	⚡
ESP®*		⚡	⚡
Hill hold control		⚡	⚡
Parking sensors	Front	-	⚡
	Rear	⚡	⚡
LED-DRL (Daytime Running Lights)		⚡	⚡
High-mount stop lamp		⚡	⚡
Immobiliser		⚡	⚡
Security alarm		⚡	⚡

# BETWEEN GROCERIES, GYM BAGS AND WEEKEND GETAWAYS

The Suzuki Across doesn't ask you to choose,  
it simply makes room for it all.



## WHEEL OPTIONS

- 17-inch Alloy wheels (Painted) GL
- 17-inch Alloy wheels (Machined) GLX



215/60 R17 + alloy wheels (Machined) (GLX)



215/60 R17 + alloy wheels (Painted) (GL)

# SUZUKI

## COMPLETE

Suzuki understands that purchasing a new vehicle is a substantial investment. Our unwavering commitment to customer satisfaction is represented in our 'Suzuki Complete' package, which includes every aspect of after-sales support, with warranty, service plan, and roadside assistance standard. All Suzuki models are covered by a comprehensive promotional warranty against any defects for a period of 5 year/200 000km.

This is supported by a six-year body corrosion warranty subject to terms and conditions. The Across benefits from a 4 year/60 000 km service plan. This plan includes the replacement of oil, the oil filter, fuel filter, brake fluid, air filter and accessory belts, but excludes tyres, brakes and other wear-and-tear items.

Service Intervals at 15 000 km or one year, whichever comes first. Every new Across comes with a five-year roadside assistance plan. Some of the benefits offered by this comprehensive package include: battery and locksmith call-out services, mechanical and electrical, breakdown towing (accident towing is optional), emergency medical rescue, vehicle repatriation and a stand-by-you roadside security armed-response service.



All care is taken to ensure the accuracy of this brochure at the time of print approval. Specifications, features, prices and model availability may vary from those specified and may change without notice. Always consult your authorised Suzuki Dealer or refer to [www.SuzukiAuto.co.za](http://www.SuzukiAuto.co.za) for the latest details on all models. SUZUKI AUTO South Africa (PTY) Ltd will not be held liable for any loss as a result of reliance on the content of this brochure, whether in negligence or otherwise. Vehicles are shown for illustrative purposes only and may not depict exact specifications. Published March 2026.

